

Washer Kit for HSPS and MIC Series

www.boschsecurity.com



- ▶ Compatible with all High-Speed Positioning Systems (HSPS) and MIC Rugged PTZ cameras
- ▶ Suitable for outdoor environments
- ▶ 4 m (13 ft) and 30 m (98 ft) delivery systems
- ▶ 23 l (6 gallon) tank capacity per model
- ▶ 24 VAC and 230 VAC models

The Bosch Washer Kit (pump and water reservoir tank) is an optional unit that connects directly to MIC Rugged PTZ series cameras and those with the Bosch High-Speed Positioning System (HSPS) to clean dirt and debris that accumulates on the glass in front of the lens of the camera, therefore improving visibility through the camera.

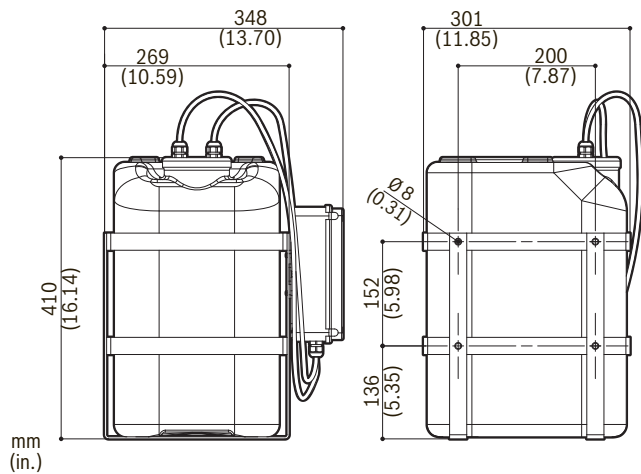
When the washer pump is activated, the articulated nozzle sprays liquid onto the glass of the camera, which must be mounted with the glass facing the nozzle. After a delay of a few seconds, the wiper that is integrated into the camera is activated to wipe the liquid from the glass while the pump is still running.

Users can adjust the nozzle of the pump to obtain the desired position of the wiper. To make this adjustment, users must configure a preset position on the Wiper-Washer Menu in the on-screen display of the camera; this preset position corresponds to the spray that is loaded when the wiper function begins. The Wiper-Washer Menu also allows configuration of the amount of time that the pump and the wiper will run. For the washer to activate, a washer pump drive card must be installed in the camera, or the camera must support integrated washer operations.

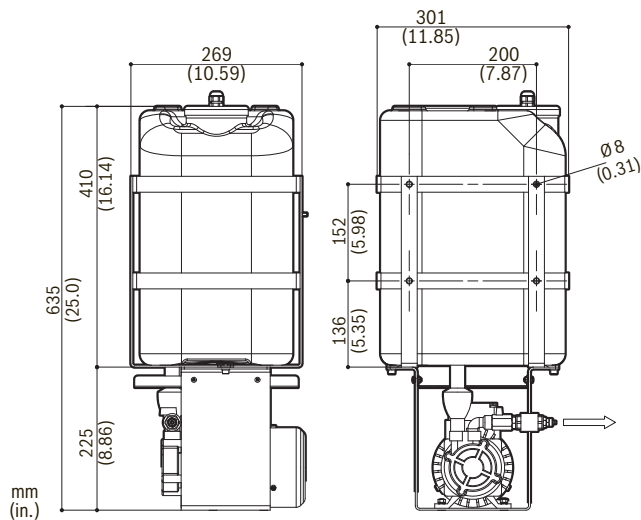
To operate the washer pump at temperatures below 3°C (37.4°F), mix vehicle antifreeze into the water in the reservoir tank. (Bosch does not recommend using

the pump in temperatures below 0°C (32°F), as liquid may freeze at the nozzle and clog the delivery tubes.) The recommended ratio of antifreeze to water is 1:5 (20% concentration). (The minimum ratio is 1 part antifreeze to 3 liters (.79 gal) water. The maximum ratio is 1 part antifreeze to 6 liters (1.6 gal) water.) The HAC-WAS05-20 (24 VAC) has a tube length of 4 m (13 ft) and guarantee a delivery up to 4 m (13 ft). The HAC-WAS30-50 (230 VAC) model guarantees a delivery up to its tube length of 30 m (98 ft), and features a function that alerts users to the lack of liquid in the reservoir tank when the pump stops running.

Installation/Configuration Notes



Dimensions–HAC-WAS05-20



Dimensions–HAC-WAS30-50

Parts Included

1	Washer kit for Bosch High-Speed Positioning System (HSPS) or MIC Rugged PTZ
1	Washer pipe support
1	Locking bracket for pipe support
1	Washer delivery tube: HAC-WAS05-20: 4 m (13 ft) tube HAC-WAS30-50: 30 m (98 ft) tube
1	Pipe connector
1	Clamp
1	Washer pipe with nozzle
1	Delivery pipe (HAC-WAS30-50 only)
1	Housing equipment

Installation hardware package including screws and washers

Installation manual

Technical Specifications

Description

	HAC-WAS05-20	HAC-WAS30-50
Tank Capacity	23 l (6 gallons)	23 l (6 gallons)
Delivery Head	4 m (13 ft) max.	30 m (98 ft) max.
Tube Length	4 m (13 ft)	30 m (98 ft)
Tube Diameter	O.D. 5 mm	O.D. 5 mm
Flow Rate	1 liter/minute	15 liters/minute ¹
Ratio, anti-freeze to water	1:5 (20% concentration)	1:5 (20% concentration)
Check Valve	Not supplied	Supplied ²

1. Flow rate is reduced to 0.1 liters/minute if the entire 30 m (98 ft) tube length is used.

2. Check valve built into the pump.

Electrical

	HAC-WAS05-20	HAC-WAS30-50
Input Voltage	24 VAC	230 VAC
Power Draw	12 W, max.	600 W, max.

Mechanical

Unit Dimensions (W x H x L)

• HAC-WAS05-20	301 x 410 x 347.5 mm (11.8 x 16 x 13.7 in.)
• HAC-WAS30-50	301 x 635 x 347.5 mm (11.8 x 25 x 13.7 in.)

Unit Weight

• HAC-WAS05-20	5.9 kg (11 lbs)
• HAC-WAS30-50	13.5 kg (29.8 lbs)

Package Dimensions (W x H x L)

• HAC-WAS05-20	375 x 310 x 790 mm (14.7 x 12.2 x 31.1 in.)
• HAC-WAS30-50	355 x 450 x 800 mm (14 x 17.7 x 31.5 in.)

Package Weight

• HAC-WAS05-20	6.5 kg (14.3 lbs)
• HAC-WAS30-50	15.5 kg (34.2 lbs)

Environmental

Operating Temperature

• HAC-WAS30-50	0°C to 60°C (32°F to 140°F)
----------------	-----------------------------

Minimum Temperature for Washer Delivery

All Models	3°C (37.4°F) Range can be extended with the use of vehicle antifreeze.
------------	---

Environmental Rating

• HAC-WAS05-20	IP56
• HAC-WAS30-50	IP45

Ordering Information

HAC-WAS05-20 24 VAC Washer

24 VAC washer inst. 4M 25L

Order number **HAC-WAS05-20**

HAC-WAS30-50 230 VAC Washer

230 VAC washer inst. 30M 25L

Order number **HAC-WAS30-50**

Represented by:

Americas:

Bosch Security Systems, Inc.
130 Perinton Parkway
Fairport, New York, 14450, USA
Phone: +1 800 289 0096
Fax: +1 585 223 9180
security.sales@us.bosch.com
www.boschsecurity.us

Europe, Middle East, Africa:

Bosch Security Systems B.V.
P.O. Box 80002
5600 JB Eindhoven, The Netherlands
Phone: + 31 40 2577 284
Fax: +31 40 2577 330
emea.securitysystems@bosch.com
www.boschsecurity.com

Asia-Pacific:

Robert Bosch (SEA) Pte Ltd, Security Systems
11 Bishan Street 21
Singapore 573943
Phone: +65 6258 5511
Fax: +65 6571 2698
apr.securitysystems@bosch.com
www.boschsecurity.asia